

GROUND STANDARD 12V/24V DC



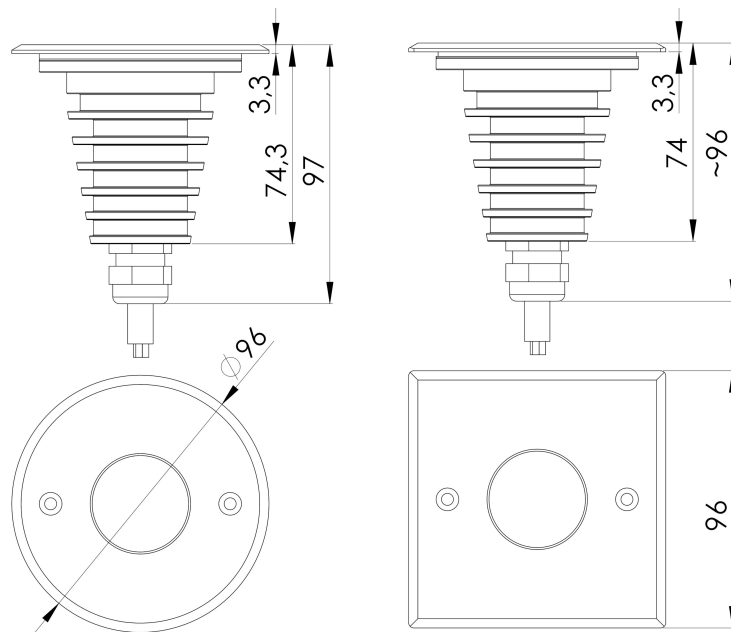
The Ground series was designed using modern simulation methods in order to obtain the highest product quality.

- based on CREE® LEDs
- IP67
- made of 316L steel, also available with an aluminum body
- 5-year warranty
- 6W



Lumen output [lm]	650
Luminous flux tolerance	±10%
Angle of distribution	10°, 20°
IP protection class	IP67
Impact resistance	IK10
Working temperature range	-20°C ÷ +55°C
Lifetime L80B10	≥ 60 000h
Protection class	III
Wiring	H07RN-F 2X1.5
Connection	0.5m
Dimming	ON-OFF/PWM

TECHNICAL DRAWINGS



GROUND STANDARD 12V/24V DC

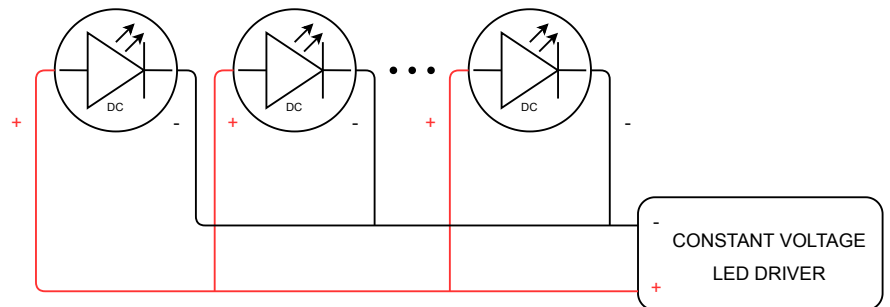


The Niviss outdoor LED lighting fixture can be used for lighting many places and objects such as:

- parks
- gardens
- exterior walls
- squares
- premises
- plants

ELECTRICAL INSTALLATION

Connecting to the power supply should be done when the power supply is off.



ORDER CODE AND TECHNICAL SPECIFICATIONS OF VARIANTS

VARIANT CODES IN THE TABLE BELOW TECHNICAL SPECIFICATIONS OF VARIANTS IN DATASHEET OF VARIANT

GENERAL TERMS OF USE

- Before using a luminaire, make sure what voltage range it is designed to.
- Connecting to the power supply should be done when the power supply is off.
- Use appropriate sockets and plugs: Ensure that your electrical sockets and plugs are compatible with the lamp's voltage and plug type.
- Use appropriate wiring for luminaires.
- Avoid overloading electrical circuits by not connecting too many lamps to a single outlet or circuit. Check the condition of the power cord and plug for any signs of damage or wear.
- Pay attention to the correct polarity when connecting the luminaires. Incorrect polarity may prevent the luminaires from functioning properly or could potentially damage them.
- Installation of the luminaires should be done by qualified person.
- Keep your luminaires clean and free from dust and debris, as it can affect their performance.
- Follow the luminaire connection diagram above.
- Avoid direct exposure of bright light sources to your eyes. Position luminaires in a way that minimizes direct glare or uncomfortable brightness.
- Ensure that the luminaire is placed on a stable surface and kept away from flammable materials. Allow sufficient clearance around the luminaire to prevent overheating.
- Keep away from fire.

ENVIRONMENTAL CAUTION!

It is prohibited to dispose of obsolete and waste electrical and electronic equipment together with regular household wastes. They should be properly sorted and recycled. Old electrical and electronic equipment should be returned to a waste collection point established by a waste-management service. Waste electrical and electronic equipment can be broken down to base materials and then recycled. For more information regarding waste management please contact your local authorities, waste-management service or the seller of electrical and electronic devices.

ORDER CODE AND TECHNICAL SPECIFICATIONS OF VARIANTS

Lumen output [lm]	Index	[DEG]	[K]	CRI/RA	[W]	Power supply type	Body material	Front material	EAN	Front shape
540	GROUND-STANDARD-6-AW-10-RD-SA-LV-COB-R	10	2200	≥80	6	12V/24V DC	Alu	SST	5902768783438	○
540	GROUND-STANDARD-6-AW-20-RD-SA-LV-COB-R	20	2200	≥80	6	12V/24V DC	Alu	SST	5902768783445	○
540	GROUND-STANDARD-6-AW-10-RD-SS-LV-COB-R	10	2200	≥80	6	12V/24V DC	SST	SST	5902768783452	○
540	GROUND-STANDARD-6-AW-20-RD-SS-LV-COB-R	20	2200	≥80	6	12V/24V DC	SST	SST	5902768783469	○
540	GROUND-STANDARD-6-AW-10-SQ-SA-LV-COB-R	10	2200	≥80	6	12V/24V DC	Alu	SST	5902768783476	□
540	GROUND-STANDARD-6-AW-20-SQ-SA-LV-COB-R	20	2200	≥80	6	12V/24V DC	Alu	SST	5902768783483	□
540	GROUND-STANDARD-6-AW-10-SQ-SS-LV-COB-R	10	2200	≥80	6	12V/24V DC	SST	SST	5902768783490	□
540	GROUND-STANDARD-6-AW-20-SQ-SS-LV-COB-R	20	2200	≥80	6	12V/24V DC	SST	SST	5902768783506	□
650	GROUND-STANDARD-6-VW-10-RD-SA-LV-COB-R	10	2700	≥80	6	12V/24V DC	Alu	SST	5902768783513	○
650	GROUND-STANDARD-6-VW-20-RD-SA-LV-COB-R	20	2700	≥80	6	12V/24V DC	Alu	SST	5902768783520	○
650	GROUND-STANDARD-6-VW-10-RD-SS-LV-COB-R	10	2700	≥80	6	12V/24V DC	SST	SST	5902768783537	○
650	GROUND-STANDARD-6-VW-20-RD-SS-LV-COB-R	20	2700	≥80	6	12V/24V DC	SST	SST	5902768783544	○
650	GROUND-STANDARD-6-VW-10-SQ-SA-LV-COB-R	10	2700	≥80	6	12V/24V DC	Alu	SST	5902768783551	□
650	GROUND-STANDARD-6-VW-20-SQ-SA-LV-COB-R	20	2700	≥80	6	12V/24V DC	Alu	SST	5902768783568	□
650	GROUND-STANDARD-6-VW-10-SQ-SS-LV-COB-R	10	2700	≥80	6	12V/24V DC	SST	SST	5902768783575	□
650	GROUND-STANDARD-6-VW-20-SQ-SS-LV-COB-R	20	2700	≥80	6	12V/24V DC	SST	SST	5902768783582	□
650	GROUND-STANDARD-6-WW-10-RD-SA-LV-COB-R	10	3000	≥80	6	12V/24V DC	Alu	SST	5902768783599	○
650	GROUND-STANDARD-6-WW-20-RD-SA-LV-COB-R	20	3000	≥80	6	12V/24V DC	Alu	SST	5902768783605	○
650	GROUND-STANDARD-6-WW-10-RD-SS-LV-COB-R	10	3000	≥80	6	12V/24V DC	SST	SST	5902768783612	○
650	GROUND-STANDARD-6-WW-20-RD-SS-LV-COB-R	20	3000	≥80	6	12V/24V DC	SST	SST	5902768783629	○
650	GROUND-STANDARD-6-WW-10-SQ-SA-LV-COB-R	10	3000	≥80	6	12V/24V DC	Alu	SST	5902768783636	□
650	GROUND-STANDARD-6-WW-20-SQ-SA-LV-COB-R	20	3000	≥80	6	12V/24V DC	Alu	SST	5902768783643	□
650	GROUND-STANDARD-6-WW-10-SQ-SS-LV-COB-R	10	3000	≥80	6	12V/24V DC	SST	SST	5902768783650	□
650	GROUND-STANDARD-6-WW-20-SQ-SS-LV-COB-R	20	3000	≥80	6	12V/24V DC	SST	SST	5902768783667	□
710	GROUND-STANDARD-6-NW-10-RD-SA-LV-COB-R	10	4000	≥80	6	12V/24V DC	Alu	SST	5902768783674	○
710	GROUND-STANDARD-6-NW-20-RD-SA-LV-COB-R	20	4000	≥80	6	12V/24V DC	Alu	SST	5902768783681	○
710	GROUND-STANDARD-6-NW-10-RD-SS-LV-COB-R	10	4000	≥80	6	12V/24V DC	SST	SST	5902768783698	○
710	GROUND-STANDARD-6-NW-20-RD-SS-LV-COB-R	20	4000	≥80	6	12V/24V DC	SST	SST	5902768783704	○
710	GROUND-STANDARD-6-NW-10-SQ-SA-LV-COB-R	10	4000	≥80	6	12V/24V DC	Alu	SST	5902768783711	□
710	GROUND-STANDARD-6-NW-20-SQ-SA-LV-COB-R	20	4000	≥80	6	12V/24V DC	Alu	SST	5902768783728	□
710	GROUND-STANDARD-6-NW-10-SQ-SS-LV-COB-R	10	4000	≥80	6	12V/24V DC	SST	SST	5902768783735	□
710	GROUND-STANDARD-6-NW-20-SQ-SS-LV-COB-R	20	4000	≥80	6	12V/24V DC	SST	SST	5902768783742	□
710	GROUND-STANDARD-6-CW-10-RD-SA-LV-COB-R	10	5000	≥80	6	12V/24V DC	Alu	SST	5902768783759	○
710	GROUND-STANDARD-6-CW-20-RD-SA-LV-COB-R	20	5000	≥80	6	12V/24V DC	Alu	SST	5902768783766	○

710	GROUND-STANDARD-6-CW-10-RD-SS-LV-COB-R	10	5000	≥80	6	12V/24V DC	SST	SST	5902768783773	○
710	GROUND-STANDARD-6-CW-20-RD-SS-LV-COB-R	20	5000	≥80	6	12V/24V DC	SST	SST	5902768783780	○
710	GROUND-STANDARD-6-CW-10-SQ-SA-LV-COB-R	10	5000	≥80	6	12V/24V DC	Alu	SST	5902768783797	□
710	GROUND-STANDARD-6-CW-20-SQ-SA-LV-COB-R	20	5000	≥80	6	12V/24V DC	Alu	SST	5902768783803	□
710	GROUND-STANDARD-6-CW-10-SQ-SS-LV-COB-R	10	5000	≥80	6	12V/24V DC	SST	SST	5902768783810	□
710	GROUND-STANDARD-6-CW-20-SQ-SS-LV-COB-R	20	5000	≥80	6	12V/24V DC	SST	SST	5902768783827	□